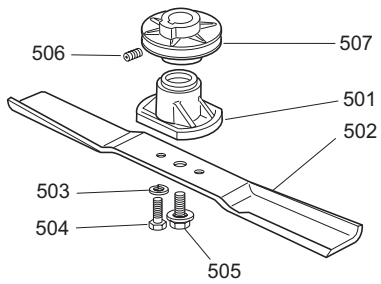
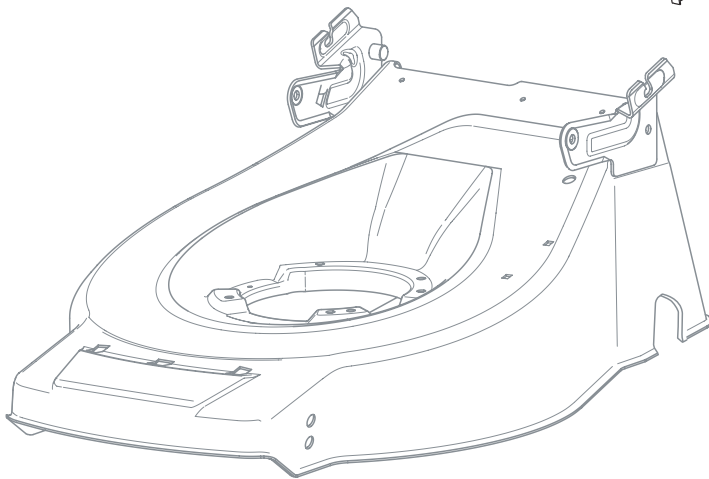
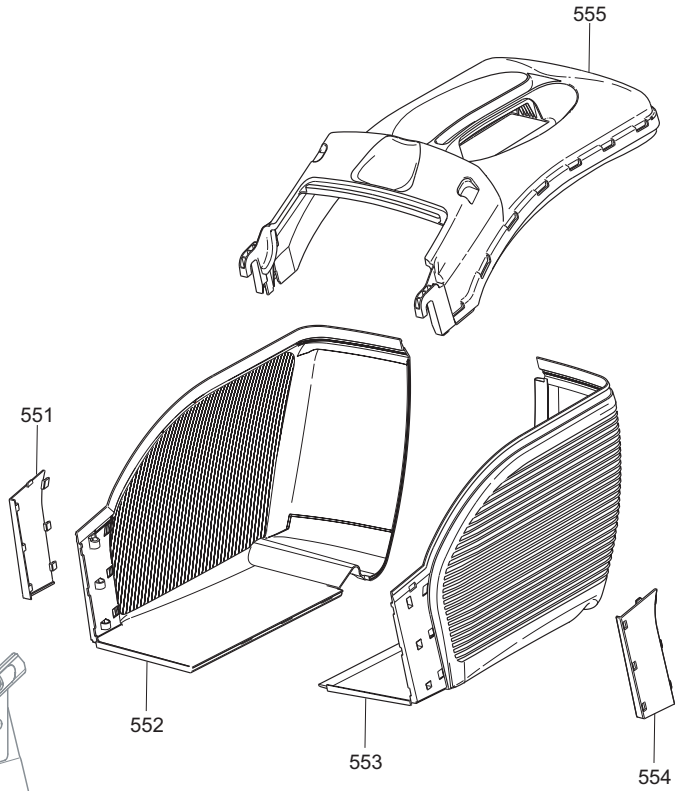
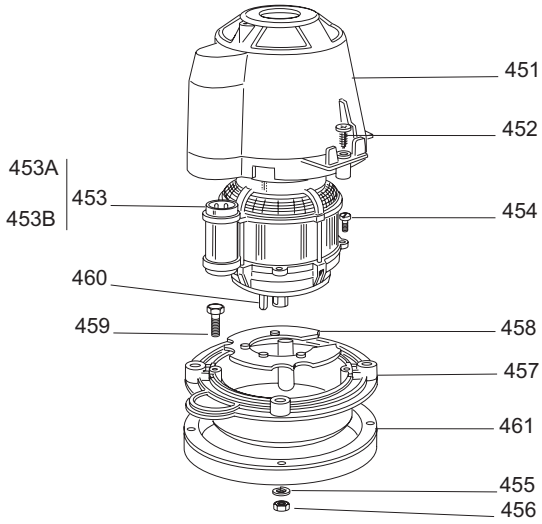
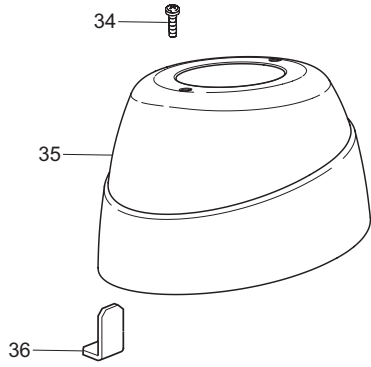


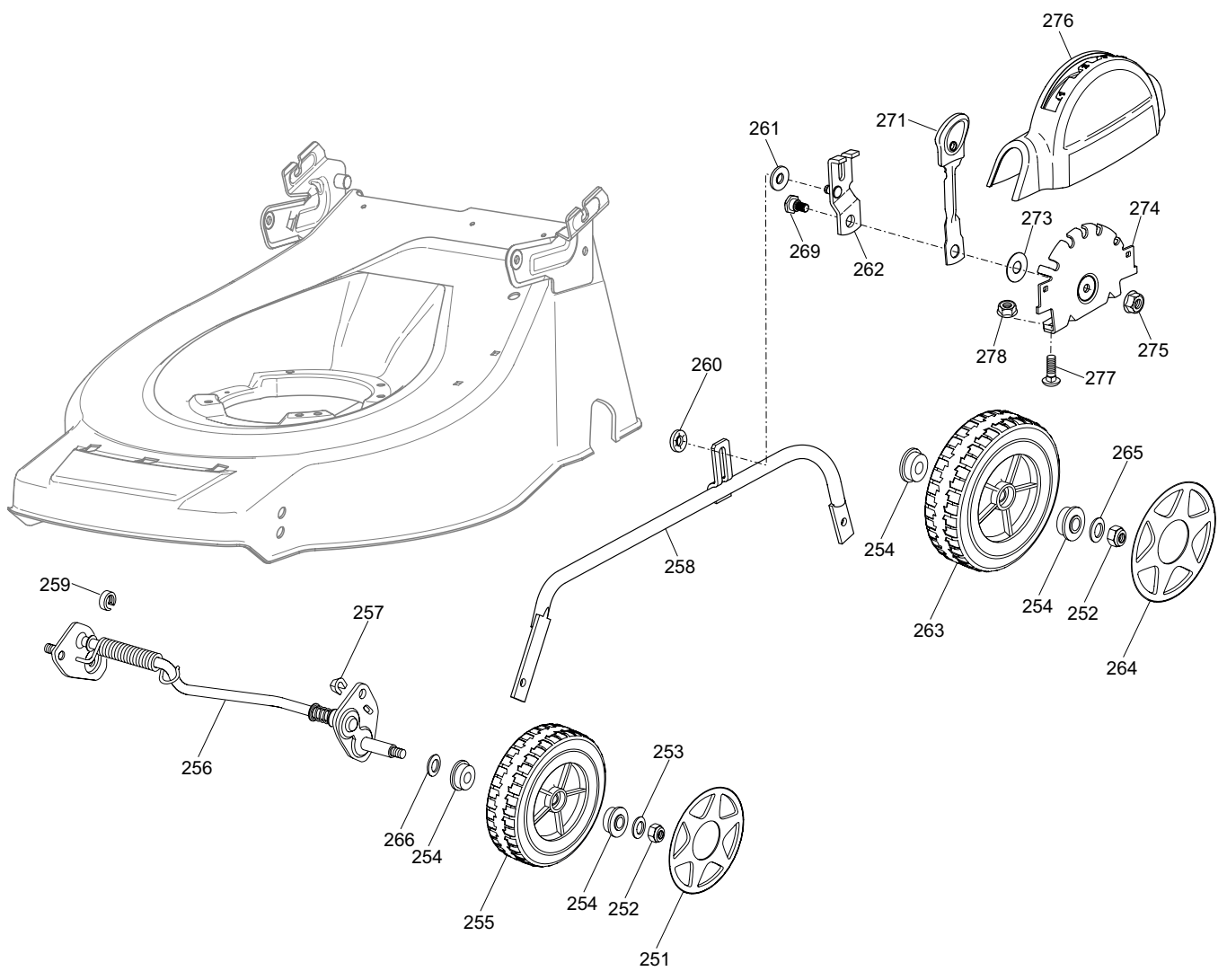
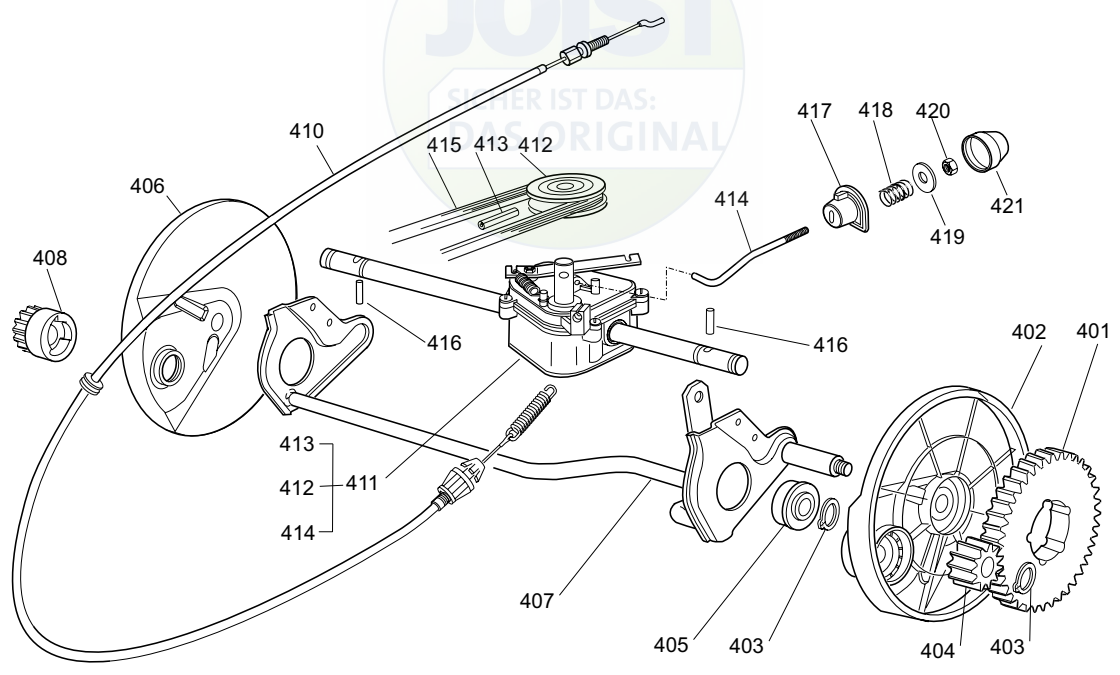
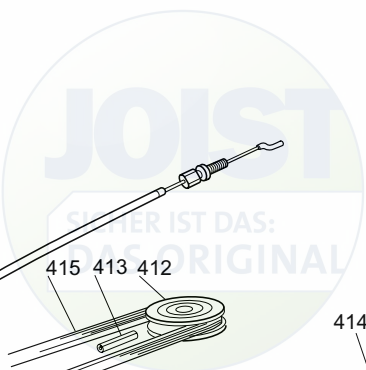


Ausgabe Issue 2005- 1		Bild Nr Picture No B102		VARIOLUX 48 ECA CHASSIE HOLM		VARIOLUX 48 ECA CHASSIS HANDLE		Seite Page 40	
Pos. Fig.	Anzahl/Quantity				Artikel Nr. Part No	Bezeichnung	Description	Satz Kit	Anmerkung Notes
X	1	1			1136-1753-01	Gehäuse.....	Deck.....		
	2	3			1136-0615-01	Schraube .....	Screw.....		
	3	1			1136-1329-01	Schutz .....	Protection .....		
	4	4			9847-8119-16	Schraube .....	Screw.....		
	5	2			1136-0682-01	Platte .....	Plate.....		
	6	1			1136-0665-01	Gummieinsatz.....	Rubber insert .....		
X	7	1			1136-1694-01	Haube .....	Cover .....		
	8	2			1117-3226-01	Schraube .....	Screw.....		
	9	3			1136-1458-01	Schraube .....	Screw.....		
	10	2			9675-0012-02	Verriegelungsscheibe .....	Locking washer.....		
X	11	1			1136-1731-01	Stange .....	Rod.....		
X	12	1			1136-1723-01	Feder- links .....	Spring- LH.....		
X	13	1			1136-1724-01	Feder- rechts.....	Spring- RH.....		
X	14	1			1136-1698-01	Halter .....	Support.....		
X	15	1			1136-1736-01	Klappe .....	Rear flap .....		
	16	2			1136-0061-01	Propfen.....	Cap.....		
X	17	1			1136-1761-01	Holm- Unterteil .....	Handle- lower .....		
X	18	2			1136-1765-01	Holmrohr .....	Handle tube.....		
X	19	1			1136-1764-01	Holm- Oberteil .....	Handle- upper.....		
X	20	1			1136-1716-01	Handgriff .....	Handgrip .....		
X	21	2			1136-1733-01	Bolzen.....	Pin.....		
	22	2			9675-0012-02	Verriegelungsscheibe .....	Locking washer.....		
X	23	4			1136-1755-01	Hebel .....	Handle lever.....		
X	24	4			1136-1738-01	Scheibe.....	Washer.....		
	25	4			1136-0309-01	Scheibe.....	Washer.....		
X	26	4			1136-1721-01	Schloßrad .....	Locking knob .....		
	27	4			9799-0831-02	Mutter .....	Nut.....		
X	28	2			1136-1745-01	Gummistopfen.....	Cap.....		
X	29	2			1136-1709-01	Ringmutter .....	Ring nut .....		
X	30	2			1136-1708-01	Griff .....	Knob .....		
X	31	2			1136-1681-01	Schraube .....	Screw.....		
X	32	1			1136-1720-01	Griff- untere .....	Knob- lower.....		
X	33	1			1136-1719-01	Griff- obere .....	Knob- upper.....		
	37	2			9836-9225-12	Schraube .....	Screw.....		
X	38	1			1136-1769-01	Schalter .....	Dead hand switch.....		
X	38	1			1136-1770-01	Schalteq .....	Dead hand switch.....		die Schweiz
X	39	1			1136-1714-01	Gummistopfen.....	Cap.....		
	40	1			1136-0662-01	Kabelbefestigung .....	Fairlead .....		
	41	3			1136-0660-01	Bowdenzughalter .....	Anchor clamp.....		
	51	6			9836-9225-12	Schraube .....	Screw.....		
X	52	1			1136-1710-01	Schutz .....	Protection .....		
X	53	1			1136-1743-01	Stütz .....	Support.....		
X	54	1			1136-1744-01	Stütz .....	Support.....		
	55	2			9836-9116-12	Schraube .....	Screw.....		
X	56	1			1136-1717-01	Regulierbügel .....	Control lever .....		
X	57	1			1136-1712-01	Schutz .....	Protection .....		
X	58	3			1136-1692-01	Deckel.....	Cap.....		
X	59	2			1136-1734-01	Deckel.....	Cover plate.....		
X	60	1			1136-1747-01	Deckel.....	Cap.....		
X	61	1			1136-1680-01	Schraube .....	Screw.....		
X	62	1			1136-1679-01	Scheibe.....	Washer.....		
X	63	1			1136-1742-01	Stütz .....	Support.....		
	231	1			1136-1338-01	Deflektor .....	Deflector .....		





Ausgabe Issue 2005- 1		Bild Nr Picture No B104		VARIOLUX 48 ECA MESSER GRASFANGKORB		VARIOLUX 48 ECA BLADE GRASS COLLECTOR		Seite Page 42	
Pos. Fig.	Anzahl/Quantity				Artikel Nr. Part No	Bezeichnung	Description	Satz Kit	Anmerkung Notes
X 34	2				9836-9525-12	Schraube .....	Screw .....		Inkl 453A - 453B 20 µF
X 35	1				1136-1691-01	Haube .....	Cover .....		
X 36	2				1136-1735-01	Platte .....	Plate .....		
X 451	1				1136-1741-01	Haubenhalter .....	Cover support .....		
X 452	4				1136-1682-01	Schraube .....	Screw .....		
X 453	1				1136-1688-01	El. Motor .....	El. motor .....		
X 453 A	1				1136-1689-01	• Lüfter .....	• Fan .....		
X 453 B	1				1136-1686-01	• Kondensator .....	• Condensator .....		
454	4				9836-9635-12	Schraube .....	Screw .....		
455	4				9683-0030-02	Scheibe .....	Lock washer .....		
456	4				9799-0831-02	Mutter .....	Nut .....		
X 457	1				1136-1706-01	Flansch .....	Flange .....		
X 458	1				1136-1739-01	Lüftungsschirm .....	Ventilation screen .....		
459	4				9997-0860-16	Schraube .....	Screw .....		
X 460	1				1136-1677-01	Keil .....	Key .....		
X 461	1				1136-1705-01	Distanz .....	Spacer .....		
X 501	1				1136-1725-01	Messerhalter .....	Hub .....		
X 502	1				1111-9741-01	Messer .....	Blade .....		
503	2				9683-0030-02	Scheibe .....	Lock washer .....		
504	2				9997-0820-16	Schraube .....	Screw .....		
505	1				1136-0752-01	Messerbolzen .....	Blade bolt .....		
506	1				1136-1417-01	Schraube .....	Set screw .....		
X 507	1				1136-1737-01	Riemenscheibe .....	Pulley .....		
X 551	1				1136-1729-01	Profil- rechts .....	Profile- RH .....		
X 552	1				1136-1727-01	Graskorb- rechts .....	Grassbox lower- RH .....		
X 553	1				1136-1728-01	Graskorb- links .....	Grassbox lower- LH .....		
X 554	1				1136-1730-01	Profil- links .....	Profile- LH .....		
X 555	1				1136-1726-01	Graskorb- Oberteil .....	Grassbox- upper .....		



B103



Ausgabe Issue 2005- 1		Bild Nr Picture No B103		VARIOLUX 48 ECA RADAUFHÄNGUNG GETRIEBE		VARIOLUX 48 ECA WHEEL SUSPENSION TRANSMISSION		Seite Page 44	
Pos. Fig.	Anzahl/Quantity				Artikel Nr. Part No	Bezeichnung	Description	Satz Kit	Anmerkung Notes
X	251	2			1136-1701-01	Radkappe- grau .....	Hub cap- grey .....		
	252	4			9747-0831-02	Mutter .....	Lock nut .....		
	253	2			9699-0028-02	Scheibe .....	Flat washer .....		
	254	8			1136-0655-01	Lager .....	Bearing .....		
	255	2			1136-1520-01	Rad .....	Wheel .....		
	256	1			1136-1357-01	Radachse- vorne .....	Wheel axle- front .....		
	257	2			1136-0009-01	Schließplatte .....	Lock plate .....		
X	258	1			1136-1759-01	Höhenverstellstange .....	Height adjust rod .....		
	259	1			1136-0658-01	Distanzring .....	Spacer .....		
	260	1			9675-0009-02	Verriegelungsscheibe .....	Starlock .....		
	261	1			1136-0006-01	Federscheibe .....	Elastic washer .....		
X	262	1			1136-1757-01	Halter .....	Attachment .....		
	263	2			1136-0772-01	Rad .....	Wheel .....		
X	264	2			1136-1702-01	Radkappe- grau .....	Hub cap- grey .....		
	265	2			1136-0006-01	Federscheibe .....	Elastic washer .....		
	266	2			1136-0609-01	Elastische Scheibe .....	Elastic washer .....		
X	269	1			1136-1732-01	Schulter schraube .....	Shoulder bolt .....		
X	271	1			1136-1756-01	Höhenverstellhebel .....	Height adjust lever .....		
	273	1			1136-0089-01	Scheibe .....	Washer .....		
X	274	1			1136-1740-01	Sektor .....	Height adjust sector .....		
	275	1			9747-0831-02	Mutter .....	Lock nut .....		
X	276	1			1136-1693-01	Deckel .....	Cover .....		
	277	2			9898-0616-16	Schraube .....	Screw .....		
	278	2			9799-0631-02	Mutter .....	Nut .....		
	401	2			1136-0653-01	Kranz .....	Ring gear .....		
	402	1			1136-0690-01	Radschutz- links .....	Wheel protection- LH .....		
	403	4			9650-0012-04	Seegersicherung .....	Circlip .....		
	404	1			1136-0685-01	Ritzel- links .....	Pinion- LH .....		
	405	2			1136-0632-01	Lager .....	Bearing .....		
	406	1			1136-0689-01	Radschutz- rechts .....	Wheel protection- RH .....		
	407	1			1136-0713-01	Hinterradachse .....	Rear wheel axle .....		
	408	1			1136-0684-01	Ritzel- rechts .....	Pinion- RH .....		
X	410	1			1136-1748-01	Kupplungsdraht .....	Clutch cable .....		
	411	1			1136-1456-01	Getriebe Kpl (schw) .....	Gearbox assy (black) .....		
	412	1			1136-0692-01	Riemenscheibe .....	Pulley .....		
	413	1			1136-0612-01	Stift .....	Pin .....		
	414	1			1136-1454-01	Verstellstange .....	Adjustment rod .....		
X	415	1			1136-9745-01	Riemen .....	Belt .....		
	416	2			1136-0697-01	Stift .....	Pin .....		
	417	1			1136-0638-01	Buchse .....	Bush .....		
	418	1			1136-0668-01	Feder .....	Spring .....		
	419	1			1136-0091-01	Scheibe .....	Washer .....		
	420	1			9747-0631-02	Mutter .....	Lock nut .....		
	421	1			1136-0081-01	Nabenkapsel .....	Hub cap .....		